

▼ Shown: W4000PX drive unit and W4206X hexagon cassette



## Safety and Performance

- Superior strength to size ratio provides easy access to difficult to reach applications without sacrificing endurance
- 30° rotation angle and rapid return stroke provide fast operation
- Tough manifold design with added safety feature for enhanced operator safety

## Simplicity

- Fast release drive unit enables rapid exchange of cassettes, no tools required
- Quick and easy disassembly for maintenance without special tools
- Include robust handle which mounts on both sides and the tops of cassettes to allow for extra maneuverability

## Versatility

- Enhanced tilt and swivel TSP300 manifold for horizontal and vertical maneuverability, with greater durability <sup>1)</sup>
- X-Edition drive units, cassettes and most accessories are compatible with standard edition tools <sup>1)</sup>
- Drive unit compatible with UltraSlim and WCR-Series cassettes

## Accuracy

- Constant torque output provides accuracy of  $\pm 3\%$  across full stroke.

## Setting New Standards in Safety, Simplicity and Performance



### Two Handle Styles

Robust angled positioning handle comes standard with every W-Series (X-Edition) cassette. Straight positioning handles designed for extreme limited

access applications are available as accessories.

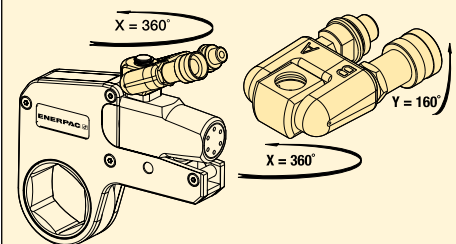
Compatible with W-Series (X-Edition) Cassettes	Model Nr. Angled positioning handles (standard)	Model Nr. Straight positioning handles (optional)
W2000PX, W4000PX	SWH6A	SWH6S
W8000PX, W15000PX	SWH10A	SWH10S
W22000PX, W35000PX	SWH10EA <sup>2)</sup>	

<sup>2)</sup> SWH10EA is an eyebolt handle.



### TSP300 Tilt & swivel manifold

Standard TSP300 tilt and swivel manifold with robust interlocking design provides 360° X-axis rotation and 160° Y-axis rotation.



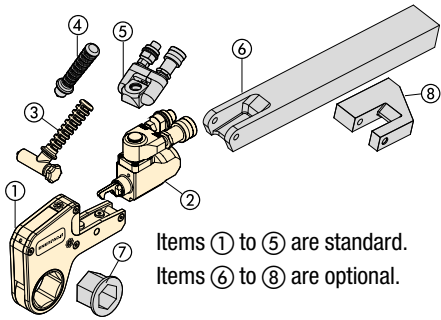
### ATEX declared. Calibration certificate included.

All X-edition tools are CE - ATEX declared and are shipped complete with a calibration certificate.



<sup>1)</sup> TSP300 is designed for X-Edition tools only, and is not compatible with previous edition tools. For replacement components for existing tools, refer to repair sheet on [www.enerpac.com](http://www.enerpac.com)

# Double-Acting Hydraulic Hexagon Torque Wrenches, X-Edition



- ① Hexagon Cassette (pages 194-201)
- ② Drive Unit
- ③ Angled Positioning Handle (page 192)
- ④ Straight Positioning Handle
- ⑤ Pro Series Swivel
- ⑥ Extended Reaction Arm (page 205)
- ⑦ Reducer Insert (pages 194-201)
- ⑧ Reaction Paddle (page 205)

Items ① to ⑤ are standard.  
Items ⑥ to ⑧ are optional.

## W Series X-Edition



Nominal Torque at 690 bar:

**47.454 Nm**

Hexagon Range:

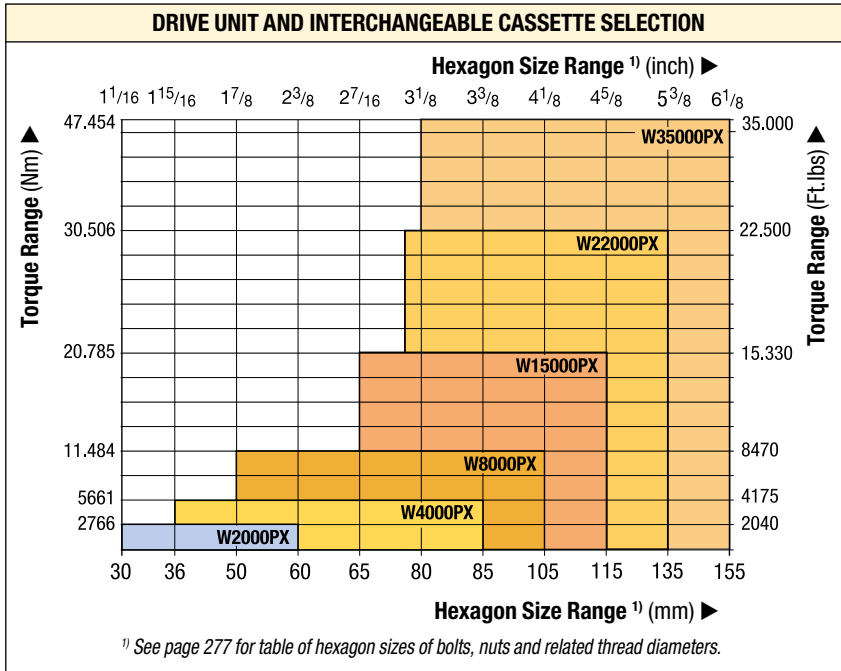
**30 - 155 mm / 1 1/16 - 6 1/8"**

Nose Radius:

**31 - 115 mm**

Maximum Operating Pressure:

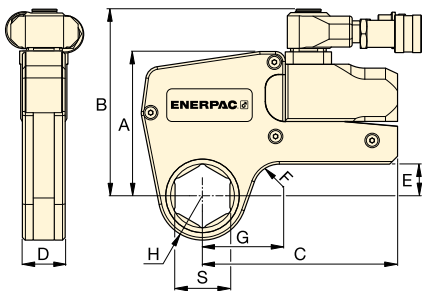
**690 bar**



### Torque Wrench Pump Selection Matrix

For optimum speed and performance see the torque wrench and pump matrix.

Page: **212**



These rigid steel wrenches with low profile interchangeable hexagon cassettes guarantee durability and maximum versatility in bolting applications. ▶



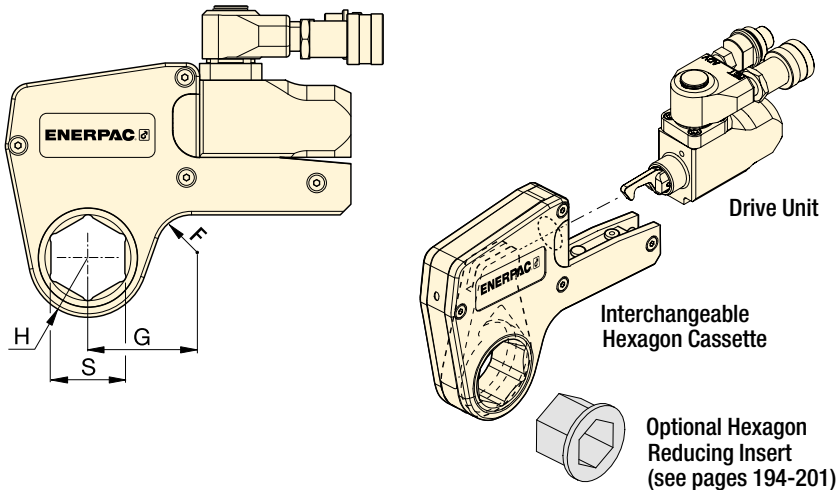
### SELECTION CHART

Hexagon Range *		Nominal Torque at 690 bar		Drive Unit Model Number with TSP300 **	Minimum Torque		Dimensions (mm) (see pages 194-201 for dimensions G, H and S)						Weight (drive unit without hexagon cassette) (kg)
(mm)	(inch)	(Nm)	(Ft.lbs)		(Nm)	(Ft.lbs)	A	B	C	D	E	F	
30 - 60	1 1/16 - 2 3/8	2766	2040	<b>W2000PX</b>	276	204	109	141	148	32	24	20	1,4
36 - 85	1 5/16 - 3 3/8	5661	4175	<b>W4000PX</b>	566	417	136	167	178	41	33	20	2,0
50 - 105	1 7/8 - 4 1/8	11.484	8470	<b>W8000PX</b>	1148	847	172	205	208	53	42	25	3,0
65 - 115	2 7/16 - 4 5/8	20.785	15.330	<b>W15000PX</b>	2078	1533	207	240	253	63	50	20	5,0
75 - 135	2 15/16 - 5 3/8	30.506	22.500	<b>W22000PX</b>	3050	2250	227	266	297	77	48	35	7,7
80 - 155	3 1/8 - 6 1/8	47.454	35.000	<b>W35000PX</b>	4745	3500	268	301	345	91	69-73	50	11,4

\* Hexagon cassette with in-line reaction foot.

\*\* To order a W-series wrench without the TSP300 swivel, remove the "P" from the tool model number. Example: **W2000X**.

# W2000X, Inch-Cassettes & Reducer Inserts



## W Series X-Edition



Nominal Torque at 690 bar:

**2766 Nm**

Hexagon Range:

**1<sup>1</sup>/<sub>16</sub> - 2<sup>3</sup>/<sub>8</sub> inch**

Maximum Operating Pressure:

**690 bar**



### Metric Sizes

For metric sizes of hexagon cassettes and reducer inserts see:

Page: **200**



### Hexagon Bolt and Nut Sizes

See the table for hexagon sizes of bolts, nuts and related thread diameters.

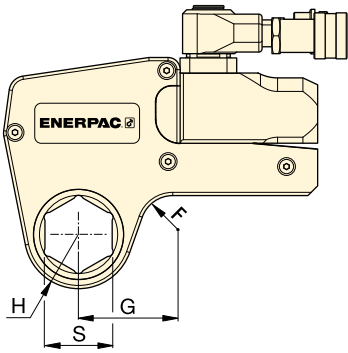
Page: **277**

## ▼ SELECTION CHART

Drive Unit Model Number	Hexagon Size <sup>1)</sup>	Nose Radius	Dim.	Model Number	Weight (kg)	Hexagon Reducer		Hexagon Reducer		Hexagon Reducer	
						Hexagon Reducer (inch)	Model Number	Hexagon Reducer (inch)	Model Number	Hexagon Reducer (inch)	Model Number
W2000PX	1 <sup>1</sup> / <sub>16</sub>	31,0	53,7	W2101X	2,1	-	-	-	-	-	-
	1 <sup>1</sup> / <sub>8</sub>	31,0	53,7	W2102X	2,1	-	-	-	-	-	-
	1 <sup>3</sup> / <sub>16</sub>	31,0	53,7	W2103X	2,1	-	-	-	-	-	-
	1 <sup>1</sup> / <sub>4</sub>	31,0	53,7	W2104X	2,1	-	-	-	-	-	-
	1 <sup>5</sup> / <sub>16</sub>	31,0	53,7	W2105X	2,1	-	-	-	-	-	-
	1 <sup>3</sup> / <sub>8</sub>	31,0	53,7	W2106X	2,1	-	-	-	-	-	-
	1 <sup>7</sup> / <sub>16</sub>	31,0	53,7	W2107X	2,1	1 <sup>7</sup> / <sub>16</sub> - 1 <sup>1</sup> / <sub>8</sub>	W2107R102	-	-	-	-
	1 <sup>1</sup> / <sub>2</sub>	33,5	58,2	W2108X	2,2	-	-	-	-	-	-
	1 <sup>9</sup> / <sub>16</sub>	33,5	58,2	W2109X	2,2	-	-	-	-	-	-
	1 <sup>5</sup> / <sub>8</sub>	33,5	58,2	W2110X	2,2	1 <sup>5</sup> / <sub>8</sub> - 1 <sup>1</sup> / <sub>4</sub>	W2110R104	1 <sup>5</sup> / <sub>8</sub> - 1 <sup>3</sup> / <sub>16</sub>	W2110R103	-	-
	1 <sup>11</sup> / <sub>16</sub>	36,5	60,5	W2111X	2,2	-	-	-	-	-	-
	1 <sup>3</sup> / <sub>4</sub>	36,5	60,5	W2112X	2,2	-	-	-	-	-	-
	1 <sup>13</sup> / <sub>16</sub>	36,5	60,5	W2113X	2,2	1 <sup>13</sup> / <sub>16</sub> - 1 <sup>7</sup> / <sub>16</sub>	W2113R107	1 <sup>13</sup> / <sub>16</sub> - 1 <sup>1</sup> / <sub>4</sub>	W2113R104	-	-
	1 <sup>7</sup> / <sub>8</sub>	39,0	63,1	W2114X	2,2	-	-	-	-	-	-
	1 <sup>5</sup> / <sub>8</sub>	39,0	63,1	W2115X	2,2	-	-	-	-	-	-
	2	39,0	63,1	W2200X	2,2	2 - 1 <sup>5</sup> / <sub>8</sub>	W2200R110	2 - 1 <sup>7</sup> / <sub>16</sub>	W2200R107	-	-
	2 <sup>1</sup> / <sub>16</sub>	41,8	68,6	W2201X	2,3	-	-	-	-	-	-
	2 <sup>1</sup> / <sub>8</sub>	41,8	68,6	W2202X	2,3	-	-	-	-	-	-
	2 <sup>3</sup> / <sub>16</sub>	41,8	68,6	W2203X	2,3	2 <sup>3</sup> / <sub>16</sub> - 1 <sup>13</sup> / <sub>16</sub>	W2203R113	2 <sup>3</sup> / <sub>16</sub> - 1 <sup>5</sup> / <sub>8</sub>	W2203R110	2 <sup>3</sup> / <sub>16</sub> - 1 <sup>7</sup> / <sub>16</sub>	W2203R107
	2 <sup>1</sup> / <sub>4</sub>	44,5	64,8	W2204X	2,2	-	-	-	-	-	-
2 <sup>5</sup> / <sub>16</sub>	44,5	64,8	W2205X	2,2	-	-	-	-	-	-	
2 <sup>3</sup> / <sub>8</sub>	44,5	64,8	W2206X	2,2	2 <sup>3</sup> / <sub>8</sub> - 2	W2206R200	2 <sup>3</sup> / <sub>8</sub> - 1 <sup>7</sup> / <sub>8</sub>	W2206R114	2 <sup>3</sup> / <sub>8</sub> - 1 <sup>13</sup> / <sub>16</sub>	W2206R113	
-	-	-	-	-	-	2 <sup>3</sup> / <sub>8</sub> - 1 <sup>1</sup> / <sub>2</sub>	W2206R108	2 <sup>3</sup> / <sub>8</sub> - 1 <sup>7</sup> / <sub>16</sub>	W2206R107	2 <sup>3</sup> / <sub>8</sub> - 1 <sup>5</sup> / <sub>16</sub>	W2206R110

<sup>1)</sup> See page 277 for table of hexagon sizes of bolts, nuts and related thread diameters.

# W4000X-Series, Inch-Cassettes & Reducer Inserts



Nominal Torque at 690 bar:

**5661 Nm**

Hexagon Range:

**1<sup>5</sup>/<sub>16</sub> - 3<sup>3</sup>/<sub>8</sub> inch**

Maximum Operating Pressure:

**690 bar**

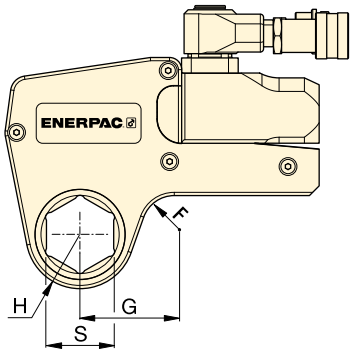
**W**  
Series  
X-Edition



Drive Unit Model Number	Hexagon Size <sup>1)</sup>	Nose Radius	Dim.	Model Number	Weight	Hexagon Reducer		Hexagon Reducer		Hexagon Reducer	
						Hexagon Reducer (inch)	Model Number	Hexagon Reducer (inch)	Model Number	Hexagon Reducer (inch)	Model Number
W4000PX	S (inch)	H (mm)	G (mm)		(kg)						
	1 <sup>5</sup> / <sub>16</sub>	37,0	61,0	W4105X	3,7	-	-	-	-	-	-
	1 <sup>3</sup> / <sub>8</sub>	37,0	61,0	W4106X	3,7	-	-	-	-	-	-
	1 <sup>7</sup> / <sub>16</sub>	37,0	61,0	W4107X	3,7	-	-	-	-	-	-
	1 <sup>1</sup> / <sub>2</sub>	37,0	61,0	W4108X	3,7	-	-	-	-	-	-
	1 <sup>9</sup> / <sub>16</sub>	37,0	61,0	W4109X	3,7	-	-	-	-	-	-
	1 <sup>5</sup> / <sub>8</sub>	37,0	61,0	W4110X	3,7	-	-	-	-	-	-
	1 <sup>11</sup> / <sub>16</sub>	39,5	64,0	W4111X	3,8	-	-	-	-	-	-
	1 <sup>3</sup> / <sub>4</sub>	39,5	64,0	W4112X	3,8	-	-	-	-	-	-
	1 <sup>13</sup> / <sub>16</sub>	39,5	64,0	W4113X	3,8	-	-	-	-	-	-
	1 <sup>7</sup> / <sub>8</sub>	41,5	66,7	W4114X	3,9	-	-	-	-	-	-
	1 <sup>15</sup> / <sub>16</sub>	41,5	66,7	W4115X	3,9	-	-	-	-	-	-
	2	41,5	66,7	W4200X	3,9	2 - 1 <sup>7</sup> / <sub>16</sub>	W4200R107	-	-	-	-
	2 <sup>1</sup> / <sub>16</sub>	44,0	73,4	W4201X	4,0	-	-	-	-	-	-
	2 <sup>1</sup> / <sub>8</sub>	44,0	73,4	W4202X	4,0	-	-	-	-	-	-
	2 <sup>3</sup> / <sub>16</sub>	44,0	73,4	W4203X	4,0	2 <sup>3</sup> / <sub>16</sub> - 1 <sup>5</sup> / <sub>8</sub>	W4203R110	2 <sup>3</sup> / <sub>16</sub> - 1 <sup>7</sup> / <sub>16</sub>	W4203R107	2 <sup>3</sup> / <sub>16</sub> - 1 <sup>1</sup> / <sub>4</sub>	W4203R104
	2 <sup>1</sup> / <sub>4</sub>	46,5	70,6	W4204X	4,1	-	-	-	-	-	-
	2 <sup>5</sup> / <sub>16</sub>	46,5	70,6	W4205X	4,1	-	-	-	-	-	-
	2 <sup>3</sup> / <sub>8</sub>	46,5	70,6	W4206X	4,1	2 <sup>3</sup> / <sub>8</sub> - 2	W4206R200	2 <sup>3</sup> / <sub>8</sub> - 1 <sup>13</sup> / <sub>16</sub>	W4206R113	2 <sup>3</sup> / <sub>8</sub> - 1 <sup>7</sup> / <sub>16</sub>	W4206R107
	-	-	-	-	-	2 <sup>3</sup> / <sub>8</sub> - 1 <sup>3</sup> / <sub>8</sub>	W4206R106	-	-	-	-
	2 <sup>7</sup> / <sub>16</sub>	49,5	76,2	W4207X	4,1	2 <sup>7</sup> / <sub>16</sub> - 2	W4207R200	-	-	-	-
	2 <sup>1</sup> / <sub>2</sub>	49,5	76,2	W4208X	4,1	2 <sup>1</sup> / <sub>2</sub> - 2	W4208R200	2 <sup>1</sup> / <sub>2</sub> - 1 <sup>7</sup> / <sub>16</sub>	W4208R113	2 <sup>1</sup> / <sub>2</sub> - 2 <sup>1</sup> / <sub>16</sub>	W4208R201
	2 <sup>9</sup> / <sub>16</sub>	49,5	76,2	W4209X	4,1	2 <sup>9</sup> / <sub>16</sub> - 2 <sup>3</sup> / <sub>16</sub>	W4209R203	2 <sup>9</sup> / <sub>16</sub> - 2 <sup>1</sup> / <sub>8</sub>	W4209R202	2 <sup>9</sup> / <sub>16</sub> - 2 <sup>1</sup> / <sub>16</sub>	W4209R201
	-	-	-	-	-	2 <sup>9</sup> / <sub>16</sub> - 2	W4209R200	2 <sup>9</sup> / <sub>16</sub> - 1 <sup>13</sup> / <sub>16</sub>	W4209R113	-	-
	2 <sup>5</sup> / <sub>8</sub>	52,5	78,3	W4210X	4,2	-	-	-	-	-	-
	2 <sup>11</sup> / <sub>16</sub>	52,5	78,3	W4211X	4,2	-	-	-	-	-	-
	2 <sup>3</sup> / <sub>4</sub>	52,5	78,3	W4212X	4,2	2 <sup>3</sup> / <sub>4</sub> - 2 <sup>3</sup> / <sub>8</sub>	W4212R206	2 <sup>3</sup> / <sub>4</sub> - 2 <sup>3</sup> / <sub>16</sub>	W4212R203	2 <sup>3</sup> / <sub>4</sub> - 2 <sup>1</sup> / <sub>8</sub>	W4212R202
	2 <sup>13</sup> / <sub>16</sub>	55,3	81,6	W4213X	4,3	-	-	-	-	-	-
	2 <sup>7</sup> / <sub>8</sub>	55,3	81,6	W4214X	4,3	-	-	-	-	-	-
	2 <sup>15</sup> / <sub>16</sub>	55,3	81,6	W4215X	4,3	2 <sup>15</sup> / <sub>16</sub> - 2 <sup>9</sup> / <sub>16</sub>	W4215R209	2 <sup>15</sup> / <sub>16</sub> - 2 <sup>3</sup> / <sub>8</sub>	W4215R206	2 <sup>15</sup> / <sub>16</sub> - 2 <sup>3</sup> / <sub>16</sub>	W4215R203
	-	-	-	-	-	2 <sup>15</sup> / <sub>16</sub> - 2	W4215R200	-	-	-	-
	3	58,5	83,5	W4300X	4,4	3 - 2 <sup>9</sup> / <sub>16</sub>	W4300R203	-	-	-	-
3 <sup>1</sup> / <sub>16</sub>	58,5	83,5	W4301X	4,4	-	-	-	-	-	-	
3 <sup>1</sup> / <sub>8</sub>	58,5	83,5	W4302X	4,4	3 <sup>1</sup> / <sub>8</sub> - 2 <sup>3</sup> / <sub>4</sub>	W4302R212	3 <sup>1</sup> / <sub>8</sub> - 2 <sup>9</sup> / <sub>16</sub>	W4302R209	3 <sup>1</sup> / <sub>8</sub> - 2 <sup>3</sup> / <sub>8</sub>	W4302R206	
-	-	-	-	-	3 <sup>1</sup> / <sub>8</sub> - 2 <sup>5</sup> / <sub>16</sub>	W4302R205	3 <sup>1</sup> / <sub>8</sub> - 2 <sup>1</sup> / <sub>4</sub>	W4302R204	3 <sup>1</sup> / <sub>8</sub> - 2 <sup>3</sup> / <sub>16</sub>	W4302R203	
-	-	-	-	-	3 <sup>1</sup> / <sub>8</sub> - 2 <sup>3</sup> / <sub>16</sub>	W4302R203	3 <sup>1</sup> / <sub>8</sub> - 2 <sup>1</sup> / <sub>8</sub>	W4302R202	3 <sup>1</sup> / <sub>8</sub> - 2	W4302R200	
3 <sup>3</sup> / <sub>16</sub>	62,0	85,5	W4303X	4,5	-	-	-	-	-	-	
3 <sup>1</sup> / <sub>4</sub>	62,0	85,5	W4304X	4,5	-	-	-	-	-	-	
3 <sup>5</sup> / <sub>16</sub>	62,0	85,5	W4305X	4,5	-	-	-	-	-	-	
3 <sup>3</sup> / <sub>8</sub>	62,0	85,5	W4306X	4,5	-	-	-	-	-	-	

<sup>1)</sup> See page 277 for table of hexagon sizes of bolts, nuts and related thread diameters.

# W8000X-Series, Inch-Cassettes & Reducers



Nominal Torque at 690 bar:

**11.484 Nm**

Hexagon Range:

**1<sup>7</sup>/<sub>8</sub> - 4<sup>1</sup>/<sub>8</sub> inch**


Maximum Operating Pressure:

**690 bar**

**W**  
Series  
X-Edition

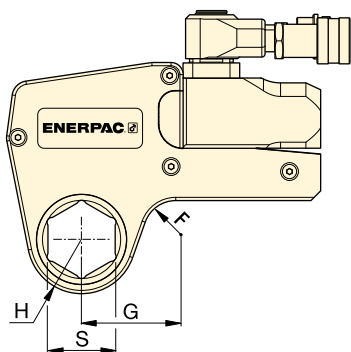


▼ SELECTION CHART

Drive Unit Model Number	Hexagon Size <sup>1)</sup>	Nose Radius	Dim.	Model Number	Weight (kg)	Hexagon Reducer		Hexagon Reducer		Hexagon Reducer	
						Hexagon Reducer (inch)	Model Number	Hexagon Reducer (inch)	Model Number	Hexagon Reducer (inch)	Model Number
W8000PX	S (inch)	H (mm)	G (mm)		(kg)	Hexagon Reducer (inch)	Model Number	Hexagon Reducer (inch)	Model Number	Hexagon Reducer (inch)	Model Number
	1 <sup>7</sup> / <sub>8</sub>	45,0	78,2	W8114X	8,1	–	–	–	–	–	–
	1 <sup>15</sup> / <sub>16</sub>	45,0	78,2	W8115X	8,1	–	–	–	–	–	–
	2	45,0	78,2	W8200X	8,1	–	–	–	–	–	–
	2 <sup>1</sup> / <sub>16</sub>	48,0	80,0	W8201X	8,1	–	–	–	–	–	–
	2 <sup>1</sup> / <sub>8</sub>	48,0	80,0	W8202X	8,1	–	–	–	–	–	–
	2 <sup>3</sup> / <sub>16</sub>	48,0	80,0	W8203X	8,1	–	–	–	–	–	–
	2 <sup>1</sup> / <sub>4</sub>	51,0	82,5	W8204X	8,1	–	–	–	–	–	–
	2 <sup>5</sup> / <sub>16</sub>	51,0	82,5	W8205X	8,1	–	–	–	–	–	–
	2 <sup>3</sup> / <sub>8</sub>	51,0	82,5	W8206X	8,1	–	–	–	–	–	–
	2 <sup>7</sup> / <sub>16</sub>	52,5	85,9	W8207X	8,1	–	–	–	–	–	–
	2 <sup>1</sup> / <sub>2</sub>	52,5	85,9	W8208X	8,1	–	–	–	–	–	–
	2 <sup>9</sup> / <sub>16</sub>	52,5	85,9	W8209X	8,1	2 <sup>9</sup> / <sub>16</sub> - 2	W8209R200	–	–	–	–
	2 <sup>5</sup> / <sub>8</sub>	56,0	84,8	W8210X	8,1	–	–	–	–	–	–
	2 <sup>11</sup> / <sub>16</sub>	56,0	84,8	W8211X	7,9	–	–	–	–	–	–
	2 <sup>3</sup> / <sub>4</sub>	56,0	84,8	W8212X	7,9	2 <sup>3</sup> / <sub>4</sub> - 2 <sup>3</sup> / <sub>16</sub>	W8212R203	–	–	–	–
	2 <sup>13</sup> / <sub>16</sub>	58,0	85,0	W8213X	7,9	–	–	–	–	–	–
	2 <sup>7</sup> / <sub>8</sub>	58,0	85,0	W8214X	7,9	–	–	–	–	–	–
	2 <sup>15</sup> / <sub>16</sub>	58,0	85,0	W8215X	7,9	2 <sup>15</sup> / <sub>16</sub> - 2 <sup>3</sup> / <sub>8</sub>	W8215R206	2 <sup>15</sup> / <sub>16</sub> - 2 <sup>3</sup> / <sub>16</sub>	W8215R203	–	–
	3	60,5	89,5	W8300X	8,0	–	–	–	–	–	–
	3 <sup>1</sup> / <sub>16</sub>	60,5	89,5	W8301X	8,0	–	–	–	–	–	–
	3 <sup>1</sup> / <sub>8</sub>	60,5	89,5	W8302X	8,0	3 <sup>1</sup> / <sub>8</sub> - 2 <sup>9</sup> / <sub>16</sub>	W8302R209	3 <sup>1</sup> / <sub>8</sub> - 2 <sup>3</sup> / <sub>8</sub>	W8302R206	3 <sup>1</sup> / <sub>8</sub> - 2 <sup>9</sup> / <sub>16</sub>	W8302R203
	–	–	–	–	–	3 <sup>1</sup> / <sub>8</sub> - 2	W8302R200	–	–	–	–
	3 <sup>3</sup> / <sub>16</sub>	66,0	92,2	W8303X	8,2	–	–	–	–	–	–
	3 <sup>1</sup> / <sub>4</sub>	66,0	92,2	W8304X	8,2	–	–	–	–	–	–
	3 <sup>5</sup> / <sub>16</sub>	66,0	92,2	W8305X	8,2	–	–	–	–	–	–
	3 <sup>3</sup> / <sub>8</sub>	66,0	92,2	W8306X	8,2	–	–	–	–	–	–
	3 <sup>7</sup> / <sub>16</sub>	66,0	92,2	W8307IX	8,2	–	–	–	–	–	–
	3 <sup>1</sup> / <sub>2</sub>	66,0	92,2	W8308X	8,2	3 <sup>1</sup> / <sub>2</sub> - 3	W8308R300	3 <sup>1</sup> / <sub>2</sub> - 2 <sup>15</sup> / <sub>16</sub>	W8308R215	3 <sup>1</sup> / <sub>2</sub> - 2 <sup>3</sup> / <sub>4</sub>	W8308R212
	3 <sup>9</sup> / <sub>16</sub>	74,0	102,9	W8309X	8,8	–	–	–	–	–	–
	3 <sup>5</sup> / <sub>8</sub>	74,0	102,9	W8310X	8,8	–	–	–	–	–	–
	3 <sup>11</sup> / <sub>16</sub>	74,0	102,9	W8311X	8,8	–	–	–	–	–	–
3 <sup>3</sup> / <sub>4</sub>	74,0	102,9	W8312X	8,8	3 <sup>3</sup> / <sub>4</sub> - 3 <sup>1</sup> / <sub>8</sub>	W8312R302	3 <sup>3</sup> / <sub>4</sub> - 2 <sup>15</sup> / <sub>16</sub>	W8312R215	3 <sup>3</sup> / <sub>4</sub> - 2 <sup>3</sup> / <sub>4</sub>	W8312R212	
3 <sup>13</sup> / <sub>16</sub>	74,0	102,9	W8313X	8,8	–	–	–	–	–	–	
3 <sup>7</sup> / <sub>8</sub>	74,0	102,9	W8314X	8,8	3 <sup>7</sup> / <sub>8</sub> - 3 <sup>1</sup> / <sub>8</sub>	W8314R302	3 <sup>7</sup> / <sub>8</sub> - 2 <sup>15</sup> / <sub>16</sub>	W8314R215	–	–	
3 <sup>15</sup> / <sub>16</sub>	79,5	110,0	W8315X	9,3	–	–	–	–	–	–	
4	79,5	110,0	W8400X	9,3	–	–	–	–	–	–	
4 <sup>1</sup> / <sub>16</sub>	79,5	110,0	W8401IX	9,3	–	–	–	–	–	–	
4 <sup>1</sup> / <sub>8</sub>	79,5	110,0	W8402X	9,3	–	–	–	–	–	–	

<sup>1)</sup> See page 277 for table of hexagon sizes of bolts, nuts and related thread diameters.

# W15000X-Series, Inch-Cassettes & Reducer Inserts



Nominal Torque at 690 bar:

**20.785 Nm**

Hexagon Range:

**2<sup>1</sup>/<sub>8</sub> - 4<sup>5</sup>/<sub>8</sub> inch**

Maximum Operating Pressure:

**690 bar**

**W**  
Series  
X-Edition

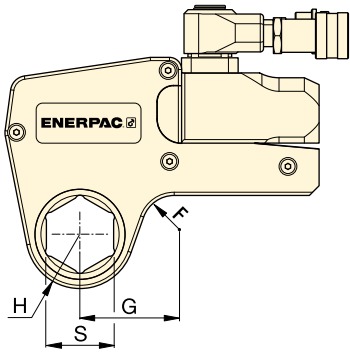


▼ SELECTION CHART

Drive Unit Model Number	Hexagon Size <sup>1)</sup>	Nose Radius	Dim.	Model Number	Weight	Hexagon Reducer		Hexagon Reducer		Hexagon Reducer	
						Hexagon Reducer (inch)	Model Number	Hexagon Reducer (inch)	Model Number	Hexagon Reducer (inch)	Model Number
W15000PX	S (inch)	H (mm)	G (mm)		(kg)						
	2 <sup>7</sup> / <sub>16</sub>	59,0	88,6	W15207X	13,6	-	-	-	-	-	-
	2 <sup>1</sup> / <sub>2</sub>	59,0	88,6	W15208X	13,6	-	-	-	-	-	-
	2 <sup>9</sup> / <sub>16</sub>	59,0	88,6	W15209X	13,6	-	-	-	-	-	-
	2 <sup>5</sup> / <sub>8</sub>	59,0	88,6	W15210X	13,6	-	-	-	-	-	-
	2 <sup>11</sup> / <sub>16</sub>	59,0	88,6	W15211X	13,6	-	-	-	-	-	-
	2 <sup>3</sup> / <sub>4</sub>	59,0	88,6	W15212X	13,6	-	-	-	-	-	-
	2 <sup>13</sup> / <sub>16</sub>	62,0	90,5	W15213X	13,7	-	-	-	-	-	-
	2 <sup>7</sup> / <sub>8</sub>	62,0	90,5	W15214X	13,7	-	-	-	-	-	-
	2 <sup>15</sup> / <sub>16</sub>	62,0	90,5	W15215X	13,7	-	-	-	-	-	-
	3	64,5	92,9	W15300X	13,8	3 - 2 <sup>1</sup> / <sub>8</sub>	W15300R202	-	-	-	-
	3 <sup>1</sup> / <sub>16</sub>	64,5	92,9	W15301X	13,8	-	-	-	-	-	-
	3 <sup>1</sup> / <sub>8</sub>	64,5	92,9	W15302X	13,8	3 <sup>1</sup> / <sub>8</sub> - 2 <sup>9</sup> / <sub>16</sub>	W15302R209	-	-	-	-
	3 <sup>3</sup> / <sub>16</sub>	69,5	96,6	W15303X	14,1	-	-	-	-	-	-
	3 <sup>1</sup> / <sub>4</sub>	69,5	96,6	W15304X	14,1	-	-	-	-	-	-
	3 <sup>5</sup> / <sub>16</sub>	69,5	96,6	W15305X	14,1	-	-	-	-	-	-
	3 <sup>3</sup> / <sub>8</sub>	69,5	96,6	W15306X	14,1	-	-	-	-	-	-
	3 <sup>7</sup> / <sub>16</sub>	69,5	96,6	W15307IX	14,1	-	-	-	-	-	-
	3 <sup>1</sup> / <sub>2</sub>	69,5	96,6	W15308X	14,1	3 <sup>1</sup> / <sub>2</sub> - 2 <sup>15</sup> / <sub>16</sub>	W15308R215	3 <sup>1</sup> / <sub>2</sub> - 2 <sup>3</sup> / <sub>4</sub>	W15308R212	-	-
	3 <sup>9</sup> / <sub>16</sub>	75,0	101,8	W15309X	14,6	-	-	-	-	-	-
	3 <sup>5</sup> / <sub>8</sub>	75,0	101,8	W15310X	14,6	-	-	-	-	-	-
	3 <sup>11</sup> / <sub>16</sub>	75,0	101,8	W15311X	14,6	-	-	-	-	-	-
	3 <sup>3</sup> / <sub>4</sub>	75,0	101,8	W15312X	14,6	3 <sup>3</sup> / <sub>4</sub> - 3 <sup>1</sup> / <sub>8</sub>	W15312R302	3 <sup>3</sup> / <sub>4</sub> - 2 <sup>15</sup> / <sub>16</sub>	W15312R215	-	-
	3 <sup>13</sup> / <sub>16</sub>	75,0	101,8	W15313X	14,5	-	-	-	-	-	-
	3 <sup>7</sup> / <sub>8</sub>	75,0	101,8	W15314X	14,5	3 <sup>7</sup> / <sub>8</sub> - 3 <sup>1</sup> / <sub>8</sub>	W15314R302	3 <sup>7</sup> / <sub>8</sub> - 2 <sup>15</sup> / <sub>16</sub>	W15314R215	-	-
	3 <sup>15</sup> / <sub>16</sub>	80,5	103,1	W15315X	14,8	-	-	-	-	-	-
	4	80,5	103,1	W15400X	14,8	-	-	-	-	-	-
	4 <sup>1</sup> / <sub>16</sub>	80,5	103,1	W15401IX	14,8	-	-	-	-	-	-
	4 <sup>1</sup> / <sub>8</sub>	80,5	103,1	W15402X	14,8	4 <sup>1</sup> / <sub>8</sub> - 3 <sup>1</sup> / <sub>2</sub>	W15402R308	4 <sup>1</sup> / <sub>8</sub> - 3 <sup>5</sup> / <sub>16</sub>	W15402R305	4 <sup>1</sup> / <sub>8</sub> - 3 <sup>1</sup> / <sub>4</sub>	W15402R304
	4 <sup>3</sup> / <sub>16</sub>	80,5	103,1	W15403IX	14,8	-	-	-	-	-	-
	4 <sup>1</sup> / <sub>4</sub>	80,5	103,1	W15404X	14,8	4 <sup>1</sup> / <sub>4</sub> - 3 <sup>1</sup> / <sub>2</sub>	W15404R308	4 <sup>1</sup> / <sub>4</sub> - 3 <sup>1</sup> / <sub>8</sub>	W15404R302	-	-
	4 <sup>5</sup> / <sub>16</sub>	87,5	114,8	W15405X	15,1	-	-	-	-	-	-
4 <sup>3</sup> / <sub>8</sub>	87,5	114,8	W15406X	15,1	-	-	-	-	-	-	
4 <sup>7</sup> / <sub>16</sub>	87,5	114,8	W15407X	15,1	-	-	-	-	-	-	
4 <sup>1</sup> / <sub>2</sub>	87,5	114,8	W15408IX	15,1	-	-	-	-	-	-	
4 <sup>9</sup> / <sub>16</sub>	87,5	114,8	W15409IX	15,1	-	-	-	-	-	-	
4 <sup>5</sup> / <sub>8</sub>	87,5	114,8	W15410IX	15,1	4 <sup>5</sup> / <sub>8</sub> - 3 <sup>15</sup> / <sub>16</sub>	W15410R315	4 <sup>5</sup> / <sub>8</sub> - 3 <sup>7</sup> / <sub>8</sub>	W15410R314	4 <sup>5</sup> / <sub>8</sub> - 3 <sup>3</sup> / <sub>4</sub>	W15410R312	
-	-	-	-	-	-	4 <sup>5</sup> / <sub>8</sub> - 3 <sup>1</sup> / <sub>2</sub>	W15410R308	-	-	-	
-	-	-	-	-	-	-	-	-	-	-	

<sup>1)</sup> See page 277 for table of hexagon sizes of bolts, nuts and related thread diameters.

# W22000X, Inch-Cassettes & Reducers



Nominal Torque at 690 bar:

**30.506 Nm**

Hexagon Range:

**2<sup>15</sup>/<sub>16</sub> - 5<sup>3</sup>/<sub>8</sub> inch**





Maximum Operating Pressure:

**690 bar**

**W**  
Series  
X-Edition

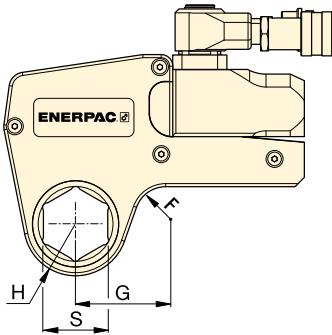


▼ SELECTION CHART

Drive Unit Model Number	Hexagon Size <sup>1)</sup> S (inch)	Nose Radius H (mm)	G (mm)	Model Nr. Cassette 	Weight (kg)						
						Hexagon Reducer (inch)	Model Number Reducer	Hexagon Reducer (inch)	Model Number Reducer	Hexagon Reducer (inch)	Model Number Reducer
W22000PX	2 <sup>15</sup> / <sub>16</sub>	67,0	102,1	W22215X	22,1	-	-	-	-	-	-
	3	67,0	102,1	W22300X	22,0	-	-	-	-	-	-
	3 <sup>1</sup> / <sub>16</sub>	67,0	102,1	W22301X	21,9	-	-	-	-	-	-
	3 <sup>1</sup> / <sub>8</sub>	67,0	102,1	W22302X	21,6	3 <sup>1</sup> / <sub>8</sub> - 2 <sup>3</sup> / <sub>8</sub>	W22302R206	3 <sup>1</sup> / <sub>8</sub> - 2 <sup>3</sup> / <sub>16</sub>	W22302R203	-	-
	3 <sup>3</sup> / <sub>16</sub>	72,4	107,4	W22303X	22,9	-	-	-	-	-	-
	3 <sup>1</sup> / <sub>4</sub>	72,4	107,4	W22304X	22,8	-	-	-	-	-	-
	3 <sup>5</sup> / <sub>16</sub>	72,4	107,4	W22305X	22,6	-	-	-	-	-	-
	3 <sup>3</sup> / <sub>8</sub>	72,4	107,4	W22306X	22,5	-	-	-	-	-	-
	3 <sup>7</sup> / <sub>16</sub>	72,4	107,4	W22307IX	22,8	-	-	-	-	-	-
	3 <sup>1</sup> / <sub>2</sub>	72,4	107,4	W22308X	22,2	3 <sup>1</sup> / <sub>2</sub> - 2 <sup>3</sup> / <sub>4</sub>	W22308R212	3 <sup>1</sup> / <sub>2</sub> - 2 <sup>9</sup> / <sub>16</sub>	W22308R209	3 <sup>1</sup> / <sub>2</sub> - 2 <sup>3</sup> / <sub>8</sub>	W22308R206
	3 <sup>9</sup> / <sub>16</sub>	77,9	113,0	W22309X	23,4	-	-	-	-	-	-
	3 <sup>5</sup> / <sub>8</sub>	77,9	113,0	W22310X	23,3	-	-	-	-	-	-
	3 <sup>11</sup> / <sub>16</sub>	77,9	113,0	W22311X	23,1	-	-	-	-	-	-
	3 <sup>3</sup> / <sub>4</sub>	77,9	113,0	W22312X	22,9	3 <sup>3</sup> / <sub>4</sub> - 2 <sup>15</sup> / <sub>16</sub>	W22312R215	-	-	-	-
	3 <sup>13</sup> / <sub>16</sub>	77,9	113,0	W22313X	22,8	-	-	-	-	-	-
	3 <sup>7</sup> / <sub>8</sub>	77,9	113,0	W22314X	22,6	3 <sup>7</sup> / <sub>8</sub> - 3 <sup>1</sup> / <sub>8</sub>	W22314R302	3 <sup>7</sup> / <sub>8</sub> - 2 <sup>15</sup> / <sub>16</sub>	W22314R215	3 <sup>7</sup> / <sub>8</sub> - 2 <sup>3</sup> / <sub>4</sub>	W22314R212
	3 <sup>15</sup> / <sub>16</sub>	85,1	119,9	W22315X	24,3	-	-	-	-	-	-
	4	85,1	119,9	W22400X	24,1	-	-	-	-	-	-
	4 <sup>1</sup> / <sub>16</sub>	85,1	119,9	W22401IX	24,0	-	-	-	-	-	-
	4 <sup>1</sup> / <sub>8</sub>	85,1	119,9	W22402X	23,6	-	-	-	-	-	-
	4 <sup>3</sup> / <sub>16</sub>	85,1	119,9	W22403IX	23,6	-	-	-	-	-	-
	4 <sup>1</sup> / <sub>4</sub>	85,1	119,9	W22404X	24,6	4 <sup>1</sup> / <sub>4</sub> - 3 <sup>1</sup> / <sub>2</sub>	W22404R308	4 <sup>1</sup> / <sub>4</sub> - 3 <sup>1</sup> / <sub>8</sub>	W22404R302	4 <sup>1</sup> / <sub>4</sub> - 2 <sup>15</sup> / <sub>16</sub>	W22404R215
	4 <sup>5</sup> / <sub>16</sub>	89,9	125,0	W22405X	24,6	-	-	-	-	-	-
	4 <sup>3</sup> / <sub>8</sub>	89,9	125,0	W22406X	24,5	-	-	-	-	-	-
	4 <sup>7</sup> / <sub>16</sub>	89,9	125,0	W22407X	24,3	-	-	-	-	-	-
	4 <sup>1</sup> / <sub>2</sub>	89,9	125,0	W22408IX	24,1	-	-	-	-	-	-
	4 <sup>9</sup> / <sub>16</sub>	89,9	125,0	W22409IX	23,9	-	-	-	-	-	-
	4 <sup>5</sup> / <sub>8</sub>	89,9	125,0	W22410IX	23,6	4 <sup>5</sup> / <sub>8</sub> - 3 <sup>7</sup> / <sub>8</sub>	W22410R314	4 <sup>5</sup> / <sub>8</sub> - 3 <sup>3</sup> / <sub>4</sub>	W22410R312	4 <sup>5</sup> / <sub>8</sub> - 3 <sup>1</sup> / <sub>2</sub>	W22410R308
	4 <sup>3</sup> / <sub>4</sub>	95,0	130,0	W22412X	24,7	-	-	-	-	-	-
	4 <sup>7</sup> / <sub>8</sub>	95,0	130,0	W22414X	24,3	-	-	-	-	-	-
	5	95,0	130,0	W22500X	23,8	5 - 4 <sup>1</sup> / <sub>4</sub>	W22500R404	5 - 4 <sup>1</sup> / <sub>8</sub>	W22500R402	5 - 3 <sup>7</sup> / <sub>8</sub>	W22500R314
	5 <sup>1</sup> / <sub>8</sub>	100,0	134,8	W22502X	25,0	-	-	-	-	-	-
5 <sup>3</sup> / <sub>16</sub>	100,0	134,8	W22503X	24,8	-	-	-	-	-	-	
5 <sup>1</sup> / <sub>4</sub>	100,0	134,8	W22504X	24,5	-	-	-	-	-	-	
5 <sup>3</sup> / <sub>8</sub>	100,0	134,8	W22506X	23,9	5 <sup>3</sup> / <sub>8</sub> - 4 <sup>5</sup> / <sub>8</sub>	W22506R410	5 <sup>3</sup> / <sub>8</sub> - 4 <sup>1</sup> / <sub>4</sub>	W22506R404	5 <sup>3</sup> / <sub>8</sub> - 4 <sup>1</sup> / <sub>8</sub>	W22506R402	
-	-	-	W22506X	23,9	5 <sup>3</sup> / <sub>8</sub> - 3 <sup>7</sup> / <sub>8</sub>	W22506R314	-	-	-	-	

<sup>1)</sup> See page 277 for table of hexagon sizes of bolts, nuts and related thread diameters.

# W35000X, Inch-Cassettes & Reducer Inserts



## ▼ SELECTION CHART

Drive Unit Model Number	Hexagon Size S	Nose Radius H	G	Model Nr. Cassette	Weight (kg)	Reducer	
						Hexagon Reducer (inch)	Model Number Reducer
W35000PX	3 1/8	76,0	126,8	W35302X	32,8	3 1/8 - 2	W35302R200
	3 3/16	76,0	126,8	W35303X	32,7	-	-
	3 1/4	76,0	126,8	W35304X	32,5	-	-
	3 5/16	76,0	126,8	W35305X	32,4	-	-
	3 3/8	76,0	126,8	W35306X	32,2	-	-
	3 7/16	76,0	126,8	W35307X	32,0	-	-
	3 1/2	76,0	126,8	W35308X	31,8	3 1/2 - 2 5/16	W35308R205
	3 9/16	81,5	132,5	W35309X	32,4	-	-
	3 5/8	81,5	132,5	W35310X	33,3	-	-
	3 11/16	81,5	132,5	W35311X	33,1	-	-
	3 3/4	81,5	132,5	W35312X	32,9	-	-
	3 13/16	81,5	132,5	W35313X	32,7	-	-
	3 7/8	81,5	132,5	W35314X	32,4	3 7/8 - 2 11/16	W35314R211
	3 15/16	87,0	137,0	W35315X	34,1	3 15/16 - 2 13/16	W35315R213
	4	87,0	137,0	W35400X	33,9	-	-
	4 1/16	87,0	137,0	W35401IX	33,7	-	-
	4 1/8	87,0	137,0	W35402X	33,5	-	-
	4 3/16	87,0	137,0	W35403IX	33,3	-	-
	4 1/4	87,0	137,0	W35404X	33,0	4 1/4 - 3 1/16	W35404R301
	4 5/16	93,0	143,0	W35405X	34,9	-	-
	4 3/8	93,0	143,0	W35406X	34,7	-	-
	4 7/16	93,0	143,0	W35407X	34,5	-	-
	4 1/2	93,0	143,0	W35408X	34,3	-	-
	4 9/16	93,0	143,0	W35409X	34,1	-	-
	4 5/8	93,0	143,0	W35410IX	33,7	4 5/8 - 3 5/8	W35410R310
	4 3/4	98,5	148,5	W35412X	35,6	4 3/4 - 3 3/4	W35412R312
	4 7/8	98,5	148,5	W35414X	34,9	-	-
	5	98,5	148,5	W35500X	34,3	5 - 4	W35500R400
	5 1/8	103,0	153,0	W35502X	35,8	5 1/8 - 4 1/8	W35502R402
	5 3/16	103,0	153,0	W35503IX	35,6	-	-
	5 1/4	103,0	153,0	W35504X	35,2	-	-
	5 3/8	103,0	153,0	W35506X	34,6	5 3/8 - 4 5/16	W35506R405
5 1/2	108,5	158,5	W35508X	36,2	-	-	
5 9/16	108,5	158,5	W35509X	36,0	-	-	
5 5/8	108,5	158,5	W35510X	35,6	-	-	
5 3/4	108,5	164,0	W35512X	34,9	5 3/4 - 4 3/4	W35512R412	
5 7/8	114,0	164,0	W35514X	36,7	5 7/8 - 4 7/8	W35514R414	
6	114,0	164,0	W35600X	36,1	-	-	
6 1/8	114,0	164,0	W35602X	35,3	6 1/8 - 5 1/8	W35602R502	

## W Series X-Edition



Nominal Torque at 690 bar:

**47.454 Nm**

Hexagon Range:

**3 1/8 - 6 1/8 inch**

Maximum Operating Pressure:

**690 bar**



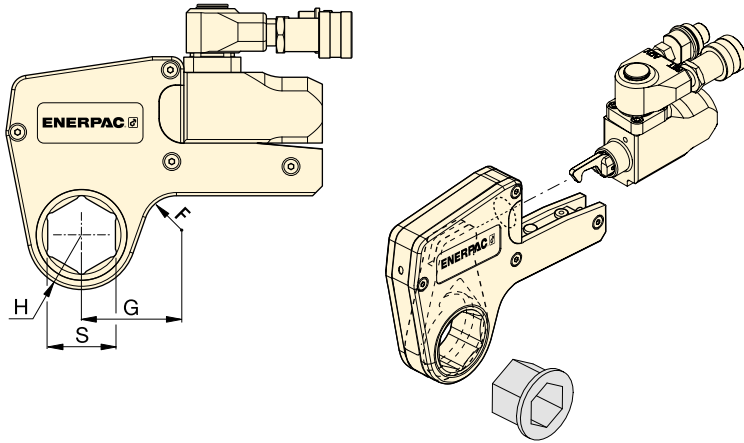
### Hexagon Bolt and Nut Sizes

See the table for hexagon sizes of bolts, nuts and related thread diameters.

Page: 277



# W-Series, Metric Cassettes and Reducers



**W**  
Series  
X-Edition







Hexagon Range:

**24 - 105 mm**

Maximum Operating Pressure:

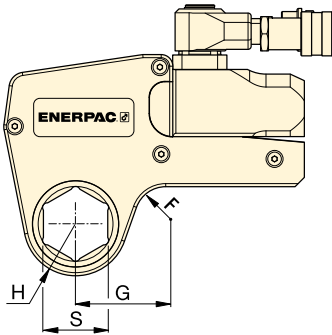
**690 bar**

▼ SELECTION CHART

Drive Unit Model Number	Hexagon Size <sup>1)</sup>	Nose Radius	Dim.	Model Nr. Cassette							
						Hexagon Reducer (mm)	Model Number Reducer	Hexagon Reducer (mm)	Model Number Reducer	Hexagon Reducer (mm)	Model Number Reducer
<b>W2000PX</b> (2766 Nm)	30	31	54	W2103X	2,1	-	-	-	-	-	-
	32	31	54	W2104X	2,1	-	-	-	-	-	-
	36	31	54	W2107X	2,1	-	-	-	-	-	-
	38	34	58	W2108X	2,2	-	-	-	-	-	-
	41	34	58	W2110X	2,2	41 - 32	W2110R104	41 - 30	W2110R103	41 - 24	W2110R024M
	46	34	61	W2113X	2,2	46 - 36	W2113R107	46 - 32	W2113R104	-	-
	50	39	63	W2200X	2,2	50 - 41	W2200R110	50 - 36	W2200R107	-	-
	55	42	69	W2203X	2,3	55 - 46	W2203R113	55 - 41	W2203R110	55 - 36	W2203R107
	60	45	65	W2206X	2,2	60 - 50	W2206R200	60 - 46	W2206R113	60 - 41	W2206R110
	-	-	-	-	-	-	60 - 36	W2206R107	-	-	-
<b>W4000PX</b> (5661 Nm)	36	37	61	W4107X	3,7	-	-	-	-	-	-
	41	37	61	W4110X	3,7	-	-	-	-	-	-
	46	40	64	W4113X	3,8	-	-	-	-	-	-
	50	42	67	W4200X	3,9	50 - 36	W4200R107	-	-	-	-
	55	44	73	W4203X	4,0	55 - 41	W4203R110	55 - 36	W4203R107	55 - 32	W4203R104
	60	47	71	W4206X	4,1	60 - 50	W4206R200	60 - 46	W4206R113	60 - 36	W4206R107
	65	50	76	W4209X	4,1	65 - 55	W4209R203	65 - 50	W4209R200	65 - 46	W4209R113
	70	53	78	W4212X	4,2	70 - 60	W4212R206	70 - 55	W4212R203	-	-
	75	55	82	W4215X	4,3	75 - 65	W4215R209	75 - 60	W4215R206	-	-
	-	-	-	W4215X	-	75 - 55	W4215R203	75 - 50	W4215R200	-	-
	80	59	84	W4302X	-	-	-	80 - 70	W4302R212	80 - 65	W4302R209
	-	-	-	W4302X	-	80 - 55	W4302R203	80 - 50	W4302R200	-	-
<b>W8000PX</b> (11.484 Nm)	85	62	86	W4085MX	4,5	-	-	-	-	-	-
	50	45	78	W8200X	8,1	-	-	-	-	-	-
	55	48	80	W8203X	8,1	-	-	-	-	-	-
	60	51	83	W8206X	8,1	-	-	-	-	-	-
	65	56	85	W8209X	8,1	65 - 50	W8209R200	-	-	-	-
	70	56	85	W8212X	7,9	70 - 55	W8212R203	-	-	-	-
	75	58	85	W8215X	7,9	75 - 60	W8215R206	75 - 55	W8215R203	-	-
	80	61	90	W8302X	8	80 - 65	W8302R209	80 - 60	W8302R206	80 - 55	W8302R203
	-	-	-	-	-	80 - 50	W8302R200	-	-	-	-
	85	66	92	W8085MX	8,2	85 - 70	W8085R070M	85 - 65	W8085R065M	85 - 60	W8085R060M
	-	-	-	-	-	85 - 55	W8085R055M	-	-	-	-
	90	74	103	W8090MX	8,8	90 - 75	W8090R075M	-	-	-	-
	95	74	103	W8312X	8,8	95 - 80	W8312R302	95 - 75	W8312R215	-	-
100	80	110	W8315X	9,3	-	-	-	-	-	-	
105	80	110	W8402X	9,3	-	-	-	-	-	-	

<sup>1)</sup> See page 277 for table of hexagon sizes of bolts, nuts and related thread diameters.

# W-Series, Metric Cassettes and Reducers



Hexagon Range:  
**50 - 155 mm**

Maximum Operating Pressure:  
**690 bar**

**W**  
Series  
X-Edition



## ▼ SELECTION CHART

Drive Unit Model Number	Hexagon Size <sup>1)</sup>	Nose Radius	Dim.	Model Nr. Cassette	Weight (kg)	Hexagon Reducer		Hexagon Reducer	
						Hexagon Reducer (mm)	Model Number Reducer	Hexagon Reducer (mm)	Model Number Reducer
<b>W15000PX</b> (20.785 Nm)	65	59	89	W15209X	13,6	-	-	-	-
	70	59	89	W15212X	13,6	-	-	-	-
	75	62	91	W15215X	13,7	-	-	-	-
	80	65	93	W15302X	13,8	80 - 65	W15302R209	-	-
	85	70	97	W15085MX	14,1	85 - 70	W15085R070M	-	-
	90	75	102	W15090MX	14,5	90 - 75	W15090R75M	-	-
	95	75	102	W15312X	14,6	95 - 80	W15312R302	95 - 75	W15312R215
	100	81	103	W15315X	14,8	-	-	-	-
	105	81	103	W15402X	14,8	105 - 90	W15402R090M	-	-
	110	88	115	W15405X	15,1	110 - 95	W15110R095M	-	-
	115	88	115	W15115MX	15,1	115 - 100	W15115R100M	-	-
<b>W22000PX</b> (30.506 Nm)	75	67	102	W22215X	22,0	-	-	-	-
	80	67	102	W22302X	21,6	80-60	W22302R206	80 - 55	W22302R203
	85	73	107	W22085MX	22,5	85-65	W22085MR209	85 - 60	W22085MR206
	90	78	113	W22090MX	23,4	90-70	W22090M212	90 - 60	W22090MR206
	95	78	113	W22312X	22,9	95-75	W22312R215	-	-
	100	85	120	W22315X	24,3	-	-	-	-
	105	85	120	W22402X	23,4	-	-	-	-
	110	90	125	W22405X	24,6	-	-	-	-
	115	90	125	W22115MX	24,0	-	-	-	-
	120	95	130	W22412X	24,7	-	-	-	-
	123	95	130	W22123MX	24,4	-	-	-	-
<b>W35000PX</b> (47.454 Nm)	130	100	135	W22502X	25,0	-	-	-	-
	135	100	135	W22506X	23,9	135 - 105	W22506R402	-	-
	80	77	129	W35302X	32,8	80 - 50	W35302R200	-	-
	85	77	129	W35085MX	32,3	-	-	-	-
	90	82	135	W35090MX	33,5	90 - 60	W35090R206	-	-
	95	82	135	W35312X	32,9	-	-	-	-
	100	88	139	W35315X	34,1	-	-	-	-
	105	88	139	W35402X	33,5	-	-	-	-
	110	94	146	W35405X	34,9	110 - 85	W35405R085M	-	-
	115	94	146	W35115MX	34,2	-	-	-	-
	120	100	153	W35412X	35,6	120 - 95	W35412R312	-	-
	123	100	153	W35123MX	35,0	-	-	-	-
	130	104	160	W35502X	35,8	130 - 105	W35502R402	-	-
	135	104	160	W35506X	34,6	135 - 110	W35506R405	-	-
	140	110	163	W35508X	36,2	140 - 115	W35508R115M	-	-
	145	110	163	W35512X	34,9	145 - 120	W35512R412	-	-
	150	115	169	W35514X	36,7	-	-	-	-
151	115	169	W35151MX	36,5	-	-	-	-	
155	115	169	W35602X	35,3	155 - 130	W35602R502	-	-	

<sup>1)</sup> See page 277 for table of hexagon sizes of bolts, nuts and related thread diameters.

▼ W4206SL bi-hexagonal cassette with W4000X drive unit



## Versatility

- Lean, stepped width design allows tool to be mounted over bolts where other tools won't fit
- Bi-Hexagonal cassette allows twice as many positioning points on nut or bolt
- Robust top mounted handle stays out of the way, providing safe fastening in hard to reach areas
- Uses same drive unit as standard W-series hexagon cassettes

## Performance

- Premium components provide best-in-class endurance compared to other limited access tools

## Ease of Use

- Few moving parts are easily accessible for quick field maintenance
- Fast release drive unit enables rapid exchange of cassettes, no tools required
- Top mounted straight handle for improved tool handling and safety
- Enhanced tilt and swivel TSP300 manifold for horizontal and vertical maneuverability, with greater durability

## Accuracy

- Constant torque output provides  $\pm 3\%$  accuracy of across full stroke
- Calibration certificate shipped with every cassette.

## Your easy and long lasting solution to difficult access bolting applications



### UltraSlim: Designed for Tight Spots

Stepped width design provides easy access in confined areas. UltraSlim cassettes fit where standard solutions won't.



### Built to Outperform

High endurance components keep working when others fail.



### Top Mounted Straight Handle

The top mounted straight handle is standard and provides safe and easy positioning and access to hard to reach fasteners.

Straight handle (standard)	<b>SWH6S</b>
Angled handle (optional)	<b>SWH6A</b>



### ATEX declared. Calibration certificate included.

All UltraSlim Series cassettes are CE - ATEX declared and are shipped complete with a calibration certificate.

CE  II 2 GD T4



*Slim enough to fit and tough enough to last. This UltraSlim wrench is the perfect controlled bolting solution for this oil and gas flange. ►*

# UltraSlim Bi-Hexagonal Cassettes

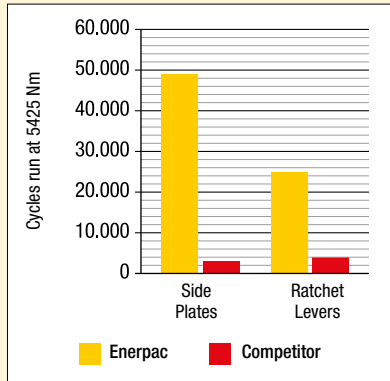


## UltraSlim Bi-Hexagonal Cassettes

Accessing narrow spaces normally requires significantly reducing the width of the torque wrench. For the tool operator, this has always meant vastly reduced tool durability, and/or reduced torque output.

By using the highest grade materials, perfecting the geometry, and placing the positioning handle on top of the tool for safe fastening, Enerpac UltraSlim cassettes are able to provide greater torque, get into tighter spaces, and vastly outperform the competition in product durability\*.

## Durability of Key Components\*



\* Average test results, whereby three Enerpac 46 mm UltraSlim cassettes and three competitor 46 mm cassettes were tested at 5425 Nm for 50,000 cycles. The Enerpac side plates never broke for the full duration of the test.

## W-SL Series UltraSlim



Nominal Torque Output:  
**5911 Nm**

Bi-Hexagonal Range:  
**46 - 75 mm**

Maximum Operating Pressure:  
**690 bar**



### Torque Wrench Pumps

System matched air and electric torque wrench pumps that are ideal for use with hydraulic torque wrenches.

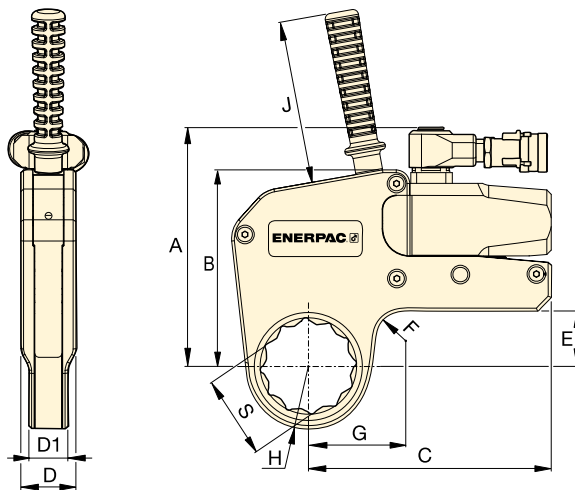
Page: **212**



### Torque Wrench Hoses

Use Enerpac THQ-700 Series torque wrench hoses with W-Series torque wrenches to ensure the integrity of your hydraulic system.

6 m long, 2 hoses	<b>THQ-706T</b>
12 m long, 2 hoses	<b>THQ-712T</b>



## SELECTION CHART

Bi-Hexagonal Size	Nominal Torque @ 690 bar	UltraSlim Cassette * Model Nr.	Minimum Torque @ 69 bar	Nose Radius	Dimensions (mm)										Drive Unit Model Nr. ** (sold separately)																		
					G	A	B	C	D	D1	E	F	J	(kg)																			
S (mm) (inch)	(Nm)		(Nm)	H (mm)	G	A	B	C	D	D1	E	F	J	(kg)																			
																46	1 <sup>3</sup> / <sub>16</sub>	2685	<b>W2113SL</b>	269	36,5	59,6	140,7	109,3	147,7	32,4	25,4	24,0	20,0	120	2,2		
																55	2 <sup>3</sup> / <sub>16</sub>	2685	<b>W2203SL</b>	269	41,5	63,2									2,2	<b>W2000PX</b>	
																60	2 <sup>3</sup> / <sub>8</sub>	2685	<b>W2206SL</b>	269	44,5	65,1									2,2		
																55	2 <sup>3</sup> / <sub>16</sub>	5911	<b>W4203SL</b>	591	44,0	68,7	175,6	144,5	178,5	40,5	28,6	40,8	20,0	120	4,6	<b>W4000PX</b>	
																60	2 <sup>3</sup> / <sub>8</sub>	5911	<b>W4206SL</b>	591	48,0	71,6											4,7
																65	2 <sup>3</sup> / <sub>16</sub>	5911	<b>W4209SL</b>	591	50,5	74,1											4,7
																70	2 <sup>3</sup> / <sub>4</sub>	5911	<b>W4212SL</b>	591	53,5	75,6											4,7
75	2 <sup>15</sup> / <sub>16</sub>	5911	<b>W4215SL</b>	591	56,0	76,0	4,7																										

\* Bi-Hexagonal Cassette includes top mounted straight handle.

\*\* Weight of drive unit W2000PX = 1,4 kg; W4000PX = 2,0 kg.

# WCR-Series, Roller Cassette Torque Wrench

▼ WCR4000 Roller Cassette with Spanner and W4000PX Drive Unit



- Provides a safe and reliable controlled bolting solution for flanges with limited access
- Spanners available to fit most commonly used API flanges
- Small nose radius – resolves bolt to pipe restrictions
- Slim spanner design – reduces bolt height restrictions
- Wide range of spanners ranging from 36 - 80 mm (1<sup>7</sup>/<sub>16</sub> - 3<sup>1</sup>/<sub>8</sub> inch)
- Includes handle to improve tool handling and safety
- Rigid steel body for maximum endurance and minimum downtime
- Enhanced tilt and swivel TSP300 manifold for horizontal and vertical maneuverability, with greater durability.

Bi-Hexagonal Spanner Size:

**36 - 80 mm, 1<sup>7</sup>/<sub>16</sub> - 3<sup>1</sup>/<sub>8</sub>"**

Spanner Nose Radius:

**31 - 55 mm**

Nominal Torque:

**5762 Nm (4250 Ft.lbs)**

Maximum Operating Pressure:

**690 bar**

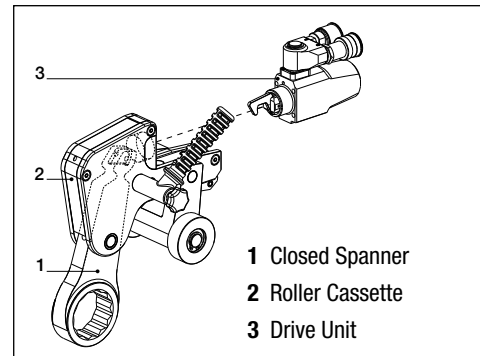


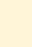
### WCR-4000 Applications

The WCR4000 helps resolve narrow clearance restrictions in bolting of API and BOP flanges.

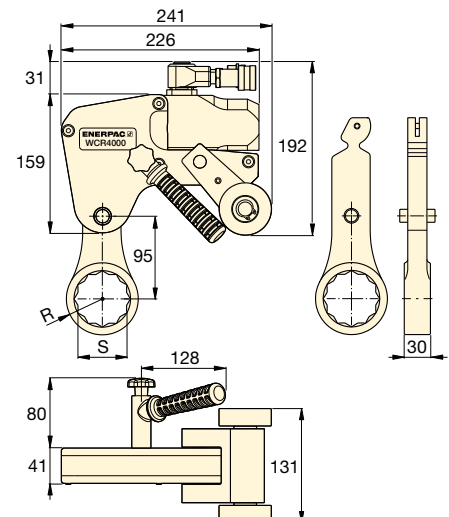
The Enerpac WCR4000 Roller Cassette has been developed for applications where there are severe clearance restrictions, particularly in height above the nut or between the bolt center and the inside of the joint.

Powered by the standard W4000PX drive unit which is compatible with standard W-Series hexagon cassettes. The WCR-wrench must be removed and repositioned after each wrench cycle by operating the pump in the retract direction. The tool contains no spring return.

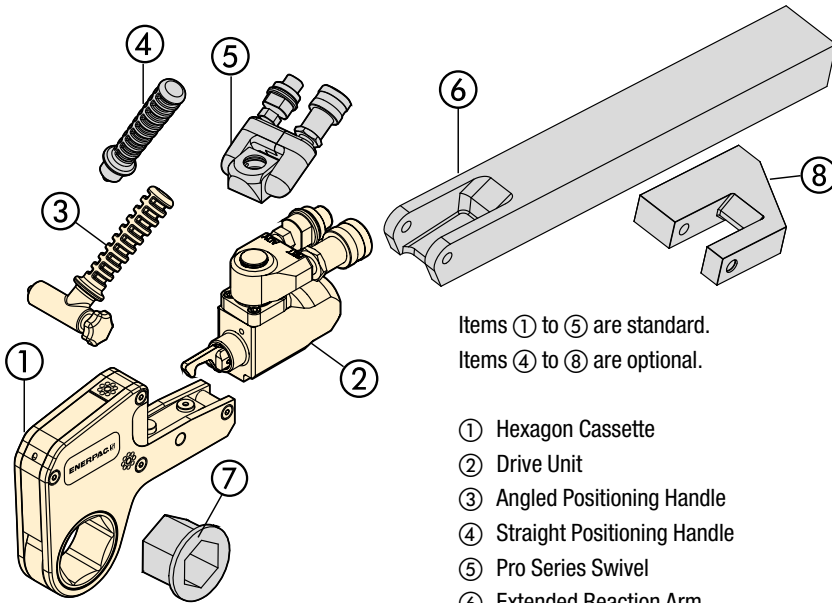


Closed Spanner Hexagon Size S (inch)   (mm)	Closed Spanner Model Number	Nominal Torque (Nm)	Spanner Radius R (mm)	 * (kg)	Roller Cassette Assembly Model Nr.	Drive Unit Model Nr.
1 <sup>7</sup> / <sub>16</sub>   36	W4107CS	5762	31	1,9	WCR4000	W4000PX
1 <sup>1</sup> / <sub>2</sub>   38	W4108CS	5762	33	2,0		
1 <sup>5</sup> / <sub>8</sub>   41	W4110CS	5762	33	1,9		
1 <sup>3</sup> / <sub>16</sub>   46	W4113CS	5762	36	1,9		
1 <sup>7</sup> / <sub>8</sub>   48	W4114CS	5762	38	2,1		
2   50	W4200CS	5762	38	1,9		
2 <sup>3</sup> / <sub>16</sub>   55	W4203CS	5762	41	2,0		
2 <sup>3</sup> / <sub>8</sub>   60	W4206CS	5762	45	2,1		
2 <sup>9</sup> / <sub>16</sub>   65	W4209CS	5762	47	2,1		
2 <sup>3</sup> / <sub>4</sub>   70	W4212CS	5762	50	2,1		
2 <sup>15</sup> / <sub>16</sub>   75	W4215CS	5762	52	2,1		
3 <sup>1</sup> / <sub>8</sub>   80	W4302CS	5762	55	2,2		

\* Spanner weight. For total weight add 6,3 kg for WCR4000 and 2,0 kg for W4000PX.



# Accessories for W-Series, X-Edition Wrenches



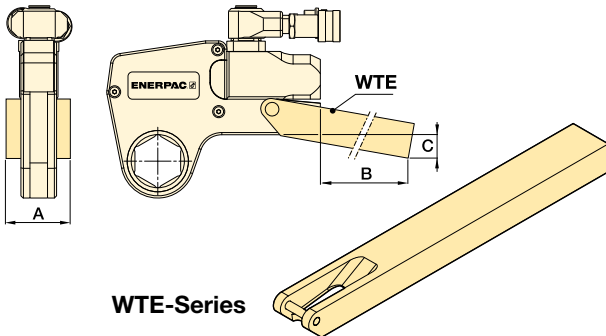
Items ① to ⑤ are standard.  
Items ④ to ⑧ are optional.

- ① Hexagon Cassette
- ② Drive Unit
- ③ Angled Positioning Handle
- ④ Straight Positioning Handle
- ⑤ Pro Series Swivel
- ⑥ Extended Reaction Arm
- ⑦ Reducer Insert
- ⑧ Reaction Paddle

## WTE WRP Series



### WTE-Series, Extended Reaction Arm

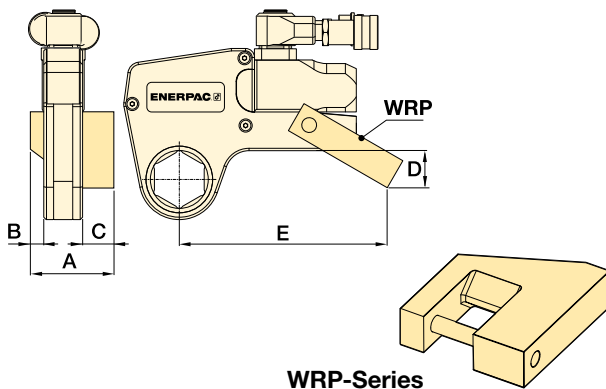


- Full torque rated
- Increases tool fit in restricted access areas.

For Torque Wrench Model Number	Model Number	Dimensions (mm)			Weight (kg) *
		A	B	C	
W2000PX	WTE20	56	398	76	2,6
W4000PX	WTE40	66	436	74	4,6
W8000PX	WTE80	85	449	55	7,6
W15000PX	WTE150	102	498	72	12,0
W22000PX	WTE220	114	524	77	17,3
W35000PX	WTE350	127	419	133	17,8

\* Weights indicated are for the accessories only and do not include the wrench.

### WRP-Series, Low Profile Reaction Paddles



- Lightweight interchangeable design
- Allows for offset reaction when in-line reaction is not available.

For Torque Wrench Model Nr.	Model Number	Dimensions (mm)					Weight (kg) *
		A	B	C	D	E	
W2000PX	WRP20	84	16	35	45	148	0,4
W4000PX	WRP40	109	21	47	59	190	0,8
W8000PX	WRP80	137	26	57	69	223	2,0
W15000PX	WRP150	165	32	69	87	257	3,9
W22000PX	WRP220	207	37	91	134	317	7,2
W35000PX	WRP350	225	42	91	182	367	10,6

\* Weights indicated are for the accessories only and do not include the wrench.